



2-12.4 GHz

BROADBAND VARIABLE ATTENUATORS

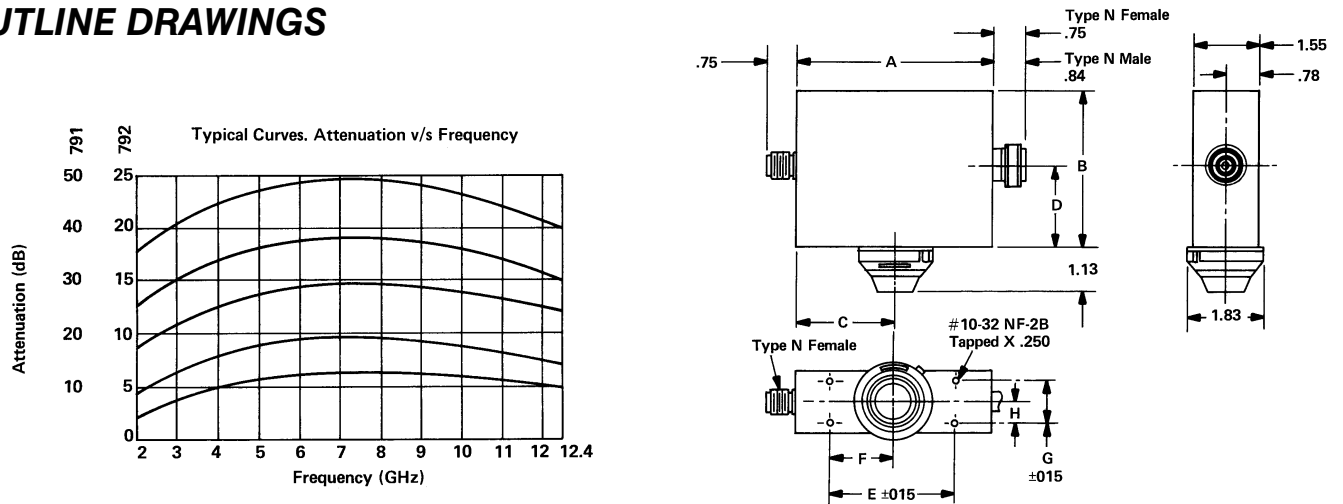
- Smooth, Continuous Operation Over Full Range
- Duo-dial Drive for Easier Resetting and Positive Locking
- High Attenuation Over a Broad Frequency Range
- Designed for Panel Mounting

SPECIFICATIONS

FREQUENCY RANGE (GHz)	MODEL	ATTENUATION RANGE		POWER INPUT		VSWR (Max)	INSERTION LOSS (Max dB)	WEIGHT (Max)	
		2-2.5	2.5-12.4	AVG. (W) Max	PEAK (kW) Max			Oz	Kg
2-12.4	791F/M	0-35	0-37.5	10	5	1.30	1.5	92.8	2.63
	792F/F	0-17.5	0-20	10	5	1.30	1.0	40.0	1.13

Specify "M" for male connector, and "F" for female connector. Connectors are Type N stainless steel

OUTLINE DRAWINGS



Model No.	A	B	C	D	E ±.015	F	G ±.015	H
791	9.19	5.63	4.61	2.82	8.750	4.39	1.000	.51
792	5.01	4.01	2.51	2.15	4.375	2.20	0.875	.45

All dimensions are Max. unless otherwise specified.